

## Model CMM Precision Pressure Gauge



### FEATURES

- $\pm 0.1\%$  F.S. accuracy – ASME B40.1, Grade 4A
- Ranges from 12-100,000 psi
- Solid front protective case
- High and low pressure limit stop
- Mirror band dial to eliminate parallax reading error
- Optional temperature compensation maintains 0.1% accuracy from  $-25$  to  $+125^\circ\text{F}$

The standard Heise® precision pressure gauge case style features a solid-front aluminum case with a hinged ring. The dial has a polished mirror band for pointer reflection to prevent parallax error and is available in 6," 8½," 12," and 16" dial sizes in both lower and back connection. Pointer is a balanced-friction adjustable design with red knife edge tip for easy reading.

### PRODUCT SPECIFICATIONS

<b>HEISE® Model No. &amp; Dial Size:</b>	CMM: 6," 8½," 12," 16"
<b>Case:</b>	Cast aluminum, solid front. Blow out rear cover. Integral panel mounting flange
<b>Lens:</b>	Polycarbonate,
<b>Dial:</b>	Black figures on white, high resolution with mirror band
<b>Pointer:</b>	Knife edge pointer to eliminate parallax errors
<b>Bourdon Tube:</b>	Bleeder tipped for easy flushing or purging
<b>Socket Connections:</b>	¼ NPT Female – Back Connect Autoclave F250-C (Aminco 45-11310) – Back Connect
<b>Ranges:</b>	Available in Gauge, Compound, Vacuum and Absolute (requires manual barometric compensation)
<b>Repeatability:</b>	$\pm 0.02\%$ F.S.
<b>Hysteresis:</b>	$\pm 0.1\%$ F.S. <sup>(1)</sup>
<b>Total Accuracy:</b>	$\pm 0.1\%$ F.S. Includes Certificate of NIST traceability

### OPTIONAL FEATURES

- Custom scales/units of measure
- Thermal compensation (maintains 0.1% accuracy from  $-25$  to  $+125^\circ\text{F}$ )
- Slotted link (protects movement during sudden pressure release)
- Wall mounting brackets
- Peak load indicator
- Dual scale dial

<sup>(1)</sup> Hysteresis may exceed  $\pm 0.1\%$  of span for ranges equal to or greater than 75,000 psi. ( $\pm 0.3\%$  typical not to exceed  $\pm 0.4\%$  of span).

# Model CMM Precision Pressure Gauge

## MATERIAL AND RANGE

### Standard Ranges

#### psi

- Beryllium copper: 0-30 through 0-40 psi
- 403 SS: 0-50 through 0-10,000 psi

#### Inches Mercury

- Beryllium copper: 0-60 through 0-75 psi
- 403 SS: 0-100 through 0-1000 psi

#### Vacuum

- Beryllium copper:

#### Compound

- Beryllium copper: 15" Hg-15" Hg through 30" Hg-60 Hg"
- 403 SS: 30" Hg-100" Hg through 30" Hg-150 Hg"
- Beryllium copper: 30" Hg-15 psi through 30" Hg-30 psi
- 403 SS: 30" Hg-60 psi through 30" Hg-300 psi

#### Inches Water

- Beryllium copper: 0-800 through 0-1000

## METRIC

### Millimeters Mercury

- Beryllium copper: 0-1500 through 0-2000
- 403 SS: 0-2500 through 0-5000

### bar – kg/cm<sup>2</sup> – kp/cm<sup>2</sup>

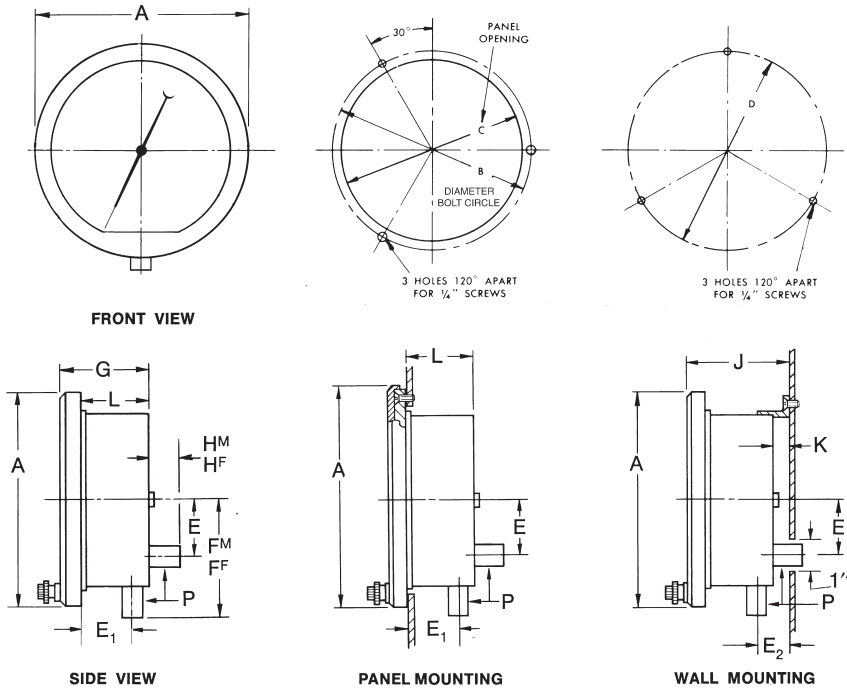
- Beryllium copper: 0-2 through 0-2.5
- 403 SS: 0-3 through 0-600

### kPa

- Beryllium copper: 0-200 through 0-250
- 403 SS: 0-300 through 0-10,000

### mPa

- 403 SS: 0-1 through 0-60



## Model "CMM"

Size	Dim. Units	A	B	C	D	E	E <sub>1</sub>	E <sub>2</sub>	F <sup>M</sup>	F <sup>F</sup>	G	H <sup>M</sup>	H <sup>F</sup>	J	K	L
6"	in.	7 <sup>7</sup> / <sub>8</sub>	7	6 <sup>1</sup> / <sub>2</sub>	7	2	1 <sup>7</sup> / <sub>8</sub>	1 <sup>1</sup> / <sub>4</sub>	4 <sup>9</sup> / <sub>16</sub>	4 <sup>1</sup> / <sub>4</sub>	3 <sup>1</sup> / <sub>4</sub>	1 <sup>3</sup> / <sub>8</sub>	1 <sup>1</sup> / <sub>16</sub>	3 <sup>27</sup> / <sub>32</sub>	5 <sup>5</sup> / <sub>8</sub>	2 <sup>15</sup> / <sub>32</sub>
	mm	200	177.8	165.1	177.8	50.8	47.6	31.8	115.8	107.9	82.3	34.9	27	97.6	15.9	62.7
8 <sup>1</sup> / <sub>2</sub> "	in.	10 <sup>5</sup> / <sub>16</sub>	9 <sup>3</sup> / <sub>8</sub>	8 <sup>15</sup> / <sub>16</sub>	9 <sup>1</sup> / <sub>2</sub>	2	1 <sup>7</sup> / <sub>8</sub>	1 <sup>1</sup> / <sub>4</sub>	5 <sup>43</sup> / <sub>64</sub>	5 <sup>23</sup> / <sub>64</sub>	3 <sup>1</sup> / <sub>4</sub>	1 <sup>3</sup> / <sub>8</sub>	1 <sup>1</sup> / <sub>16</sub>	4 <sup>1</sup> / <sub>32</sub>	5 <sup>5</sup> / <sub>8</sub>	2 <sup>21</sup> / <sub>32</sub>
	mm	261.9	238.1	228.6	241.3	50.8	47.6	31.8	144	136.1	82.3	34.9	27	102.4	15.9	67.4
12"	in.	13 <sup>2</sup> / <sub>32</sub>	12 <sup>3</sup> / <sub>4</sub>	12 <sup>3</sup> / <sub>8</sub>	9 <sup>1</sup> / <sub>2</sub>	2	1 <sup>7</sup> / <sub>8</sub>	1 <sup>1</sup> / <sub>4</sub>	5 <sup>43</sup> / <sub>64</sub>	5 <sup>23</sup> / <sub>64</sub>	3 <sup>1</sup> / <sub>4</sub>	1 <sup>3</sup> / <sub>8</sub>	1 <sup>1</sup> / <sub>16</sub>	4 <sup>1</sup> / <sub>32</sub>	5 <sup>5</sup> / <sub>8</sub>	2 <sup>21</sup> / <sub>32</sub>
	mm	346.9	329.9	314.3	241.3	50.8	47.6	31.8	144	136.1	82.3	34.9	27	102.4	15.9	67.4
16"	in.	17 <sup>23</sup> / <sub>32</sub>	16 <sup>3</sup> / <sub>4</sub>	16 <sup>3</sup> / <sub>8</sub>	9 <sup>1</sup> / <sub>2</sub>	3 <sup>1</sup> / <sub>4</sub>	1 <sup>5</sup> / <sub>16</sub>	1 <sup>63</sup> / <sub>64</sub>	5 <sup>9</sup> / <sub>16</sub>	5 <sup>1</sup> / <sub>4</sub>	3 <sup>25</sup> / <sub>64</sub>	1 <sup>3</sup> / <sub>8</sub>	1 <sup>1</sup> / <sub>16</sub>	4 <sup>1</sup> / <sub>16</sub>	4 <sup>1</sup> / <sub>64</sub>	2 <sup>21</sup> / <sub>32</sub>
	mm	450.1	425.2	415.9	241.3	82.6	33.3	50.4	141.3	133.4	86.1	35.0	27.0	103.1	16.3	67.4

Inlet Pressure Connection*	P	Pressure connection is illustrated in both back and bottom configurations. See page 4 for available fitting types.				
		Dial Size	6"	8 <sup>1</sup> / <sub>2</sub> "	12"	16"
Approximate Weight		Net Weight	4 <sup>1</sup> / <sub>2</sub> lbs.	7 <sup>3</sup> / <sub>4</sub> lbs.	10 <sup>3</sup> / <sub>4</sub> lbs.	14 <sup>1</sup> / <sub>4</sub> lbs.
		Shipping Weight	7 lbs.	10 lbs.	15 lbs.	21 lbs.

\*Standard Inlet Fittings: 1/4 NPT Female Back Connection for ranges up to and including 10,000 psi. AMINCO 45-11310 or AUTOCLAVE F-250-C for ranges over 10,000 psi.