

Model CC Precision Pressure Gauge



FEATURES

- $\pm 0.1\%$ F.S. accuracy – ASME B40.1, Grade 4A
- Ranges from 12-100,000 psi
- Solid front protective case
- High and low pressure limit stop
- Mirror band dial to eliminate parallax reading error
- Optional temperature compensation maintains 0.1% accuracy from -25 to $+125^\circ\text{F}$

The standard Heise® precision pressure gauge case style features a solid-front aluminum case with a hinged ring. The dial has a polished mirror band for pointer reflection to prevent parallax error and is available in 6," 8½," 12," and 16" dial sizes in both lower and back connection. Pointer is a balanced-friction adjustable design with red knife edge tip for easy reading.

PRODUCT SPECIFICATIONS

HEISE®	
Model No. & Dial Size:	CC: 8½," 12," 16"
Case:	Cast aluminum, solid front. Blow out rear cover. Integral panel mounting flange
Lens:	Polycarbonate,
Dial:	Black figures on white, high resolution with mirror band
Pointer:	Knife edge pointer to eliminate parallax errors
Bourdon Tube:	Bleeder tipped for easy flushing or purging
Socket Connections:	¼ NPT Female – Back Connect Autoclave F250-C (Aminco 45-11310) – Back Connect
Ranges:	Available in Gauge, Compound, Vacuum and Absolute (requires manual barometric compensation)
Repeatability:	$\pm 0.02\%$ F.S.
Hysteresis:	$\pm 0.1\%$ F.S. ⁽¹⁾
Total Accuracy:	$\pm 0.1\%$ F.S. Includes Certificate of NIST traceability

OPTIONAL FEATURES

- Custom scales/units of measure
- Thermal compensation (maintains 0.1% accuracy from -25 to $+125^\circ\text{F}$)
- Slotted link (protects movement during sudden pressure release)
- Wall mounting brackets
- Peak load indicator
- Dual scale dial

⁽¹⁾ Hysteresis may exceed $\pm 0.1\%$ of span for ranges equal to or greater than 75,000 psi. ($\pm 0.3\%$ typical not to exceed $\pm 0.4\%$ of span).

Model CC Precision Pressure Gauge

MATERIAL AND RANGE

Standard Ranges

psi

- Beryllium copper: 0-12 through 0-40 psi
- 403 SS: 0-50 through 0-30,000 psi

Inches Mercury

- Beryllium copper: 0-30 through 0-75 psi
- 403 SS: 0-100 through 0-1000 psi

Vacuum

- Beryllium copper: -30-0

Compound

- Beryllium copper: 15" Hg-15" Hg through 30" Hg-60 Hg"
- 403 SS: 30" Hg-100" Hg through 30" Hg-150 Hg"
- Beryllium copper: 30" Hg-15 psi through 30" Hg-30 psi
- 403 SS: 30" Hg-60 psi through 30" Hg-300 psi

Inches Water

- Beryllium copper: 0-350 through 0-1000

METRIC

Millimeters Mercury

- Beryllium copper: 0-750 through 0-2000
- 403 SS: 0-2500 through 0-5000

bar – kg/cm² – kp/cm²

- Beryllium copper: 0.2-1 through 0-2.5
- 403 SS: 0-3 through 0-1600

kPa

- Beryllium copper: 0-100 through 0-250
- 403 SS: 0-300 through 0-10,000

mPa

- 403 SS: 0-1 through 0-160

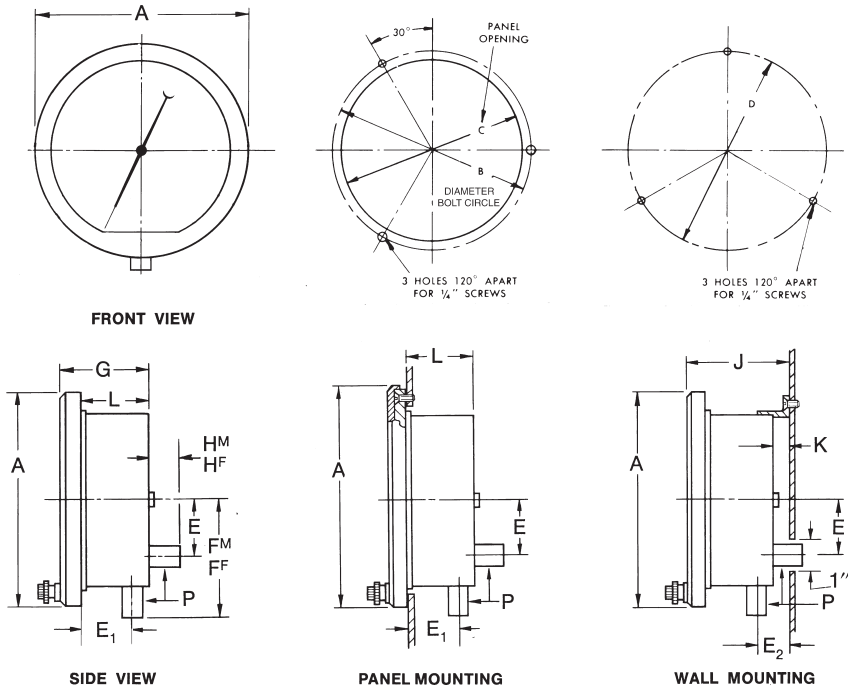
Vacuum

bar – kg/cm² – kp/cm²

- Beryllium copper: -1 to 0

kPa

- Beryllium copper: -100 to 0



Model "CC"

Size	Dim. Units	A	B	C	D	E	E ₁	E ₂	F ^M	F ^F	G	H ^M	H ^F	J	K	L
8 1/2"	in.	10 5/16	9 3/8	8 15/16	9 1/2	3 1/4	1 5/16	1 63/64	5 9/16	5 1/4	3 25/64	1 3/8	1 1/16	4 1/32	4 1/64	2 21/32
	mm	261.9	238.1	228.6	241.3	82.6	33.3	50.4	141.3	133.4	86.1	35.0	27.0	102.3	16.3	67.4
12"	in.	13 21/32	12 3/4	12 3/8	9 1/2	3 1/4	1 5/16	1 63/64	5 9/16	5 1/4	3 25/64	1 3/8	1 1/16	4 1/16	4 1/64	2 21/32
	mm	346.9	329.9	314.3	241.3	82.6	33.3	50.4	141.3	133.4	86.1	35.0	27.0	103.1	16.3	67.4
16"	in.	17 23/32	16 3/4	16 3/8	9 1/2	3 1/4	1 5/16	1 63/64	5 9/16	5 1/4	3 25/64	1 3/8	1 1/16	4 1/16	4 1/64	2 21/32
	mm	450.1	425.2	415.9	241.3	82.6	33.3	50.4	141.3	133.4	86.1	35.0	27.0	103.1	16.3	67.4

Inlet Pressure Connection*	P	Pressure connection is illustrated in both back and bottom configurations. See page 4 for available fitting types.			
Approximate Weight	Dial Size	8 1/2"		12"	
	Net Weight	7 3/4 lbs.		10 3/4 lbs.	
	Shipping Weight	10 lbs.		15 lbs.	

*Standard Inlet Fittings: 1/4 NPT Female Back Connection for ranges up to and including 10,000 psi. AMINCO 45-11310 or AUTOCLAVE F-250-C for ranges over 10,000 psi.