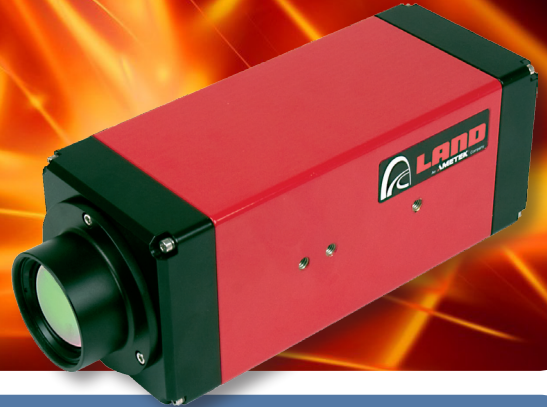


LAND



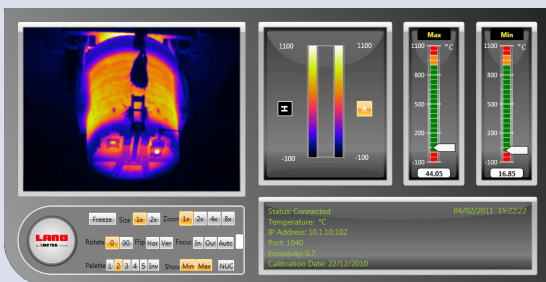
A Smarter Image
-4°F to 1832°F



Arc Thermal Imaging Camera "A Smarter Image"

Arc is a range of General Purpose Radiometric Thermal Imaging Cameras which are rugged enough to withstand heavy industrial applications, while compact enough for use in R&D and automation.

Arc features a rugged IP65/NEMA 4X sealed all-metal design with a wide range of options. These include a choice of two temperature ranges, four lenses, two frame rates and three software variants to meet exact user requirements.



Arc Viewer Software

Features & Benefits

- High resolution radiometric thermal imager
Detailed thermal images with unsurpassed temperature accuracy
- 4 Lens options
View any target, at any distance with outstanding clarity
- Wide ambient temperature operating range
Install just about anywhere!
- Remote, motorized focus
Quicker installation, safe & convenient operation
- Viewer Software as Standard
User-friendly monitoring software enables visualisation of thermal data
- IP65/NEMA 4X Sealing as Standard
Maintain performance in any environment
- Choice of ATEX and Class/Division enclosures
Suitable for hazardous area applications
- Direct connection to a range of I/O Modules through standard industrial ethernet
Simple, stand-alone operation
- Export License Free
Rapid, hassle-free shipping (7.5 Hz model only)

LAND

**Non-Contact Temperature
Measurement Solutions**

Land Instruments International Ltd • Dronfield S18 1DJ • England
Email: land.infrared@ametek.co.uk • www.landinst.com • Tel: +44 (0) 1246 417691 • Fax: +44 (0) 1246 410585

AMETEK Land, Inc. • 150 Freeport Rd • Pittsburgh, PA 15238 • U.S.A.
Email: irsales@ametek.com • www.ametek-land.com • Tel: +1 (412) 826 4444 • Fax: +1 (412) 826 4460

For a full list of international offices, please visit www.landinst.com



0034



001



**LABORATORY
ACCREDITATION
BUREAU
ACCREDITED**
ISO/IEC 17025:2005

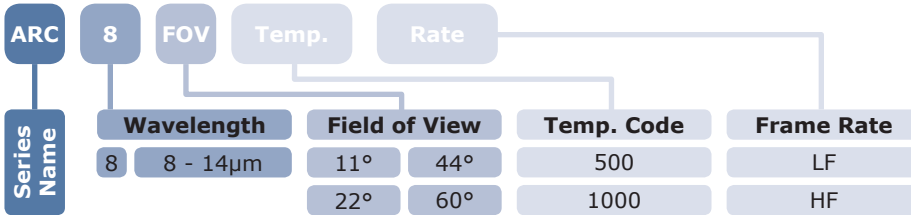
REGISTERED
ISO 9001
MANAGEMENT SYSTEM

An **AMETEK** Company

Applies in the UK

Applies in the USA

Ordering Information



Specifications

Model Range	ARC-8-FOV-500-Rate	ARC-8-FOV-1000-Rate
Temperature Range	-20 to 500°C -4 to 932°F	100 to 1000°C 212 to 1832°F
Spectral Response	8 - 14µm	
Image resolution	384 x 288	
Horizontal FOV	11°, 22°, 44° or 60°	
Focus range	0.3m>infinity (22°, 44°, 60°) / 0.5m>infinity (11°)	
Accuracy	±2% or ±2°C	
Frame Rate	LF	7.5 Hz (export licence-free)
	HF	30 Hz
Physical & Environmental		
Dimensions	85 x 85 x 276 mm / 3.5 x 3.5 x 11 in (including lens)	
Weight	1.8 kg / 4 lb	
Ambient Range	-20 to 60°C / -4 to 140°F	
Operating Humidity	5% to 95% (non-condensing)	
Sealing	IP65 / NEMA 4X	
Power I/O and EMC		
Power Supply	9 to 30 Vdc	
EMC	EN 61326	

Software

Viewer

Image view & basic temperature information

Viewer+

As above plus configuration of Smart features for stand-alone operation

LIPS

Image recording, profiles, areas of interest, alarms, saving and image storage

Smart Features

Includes:

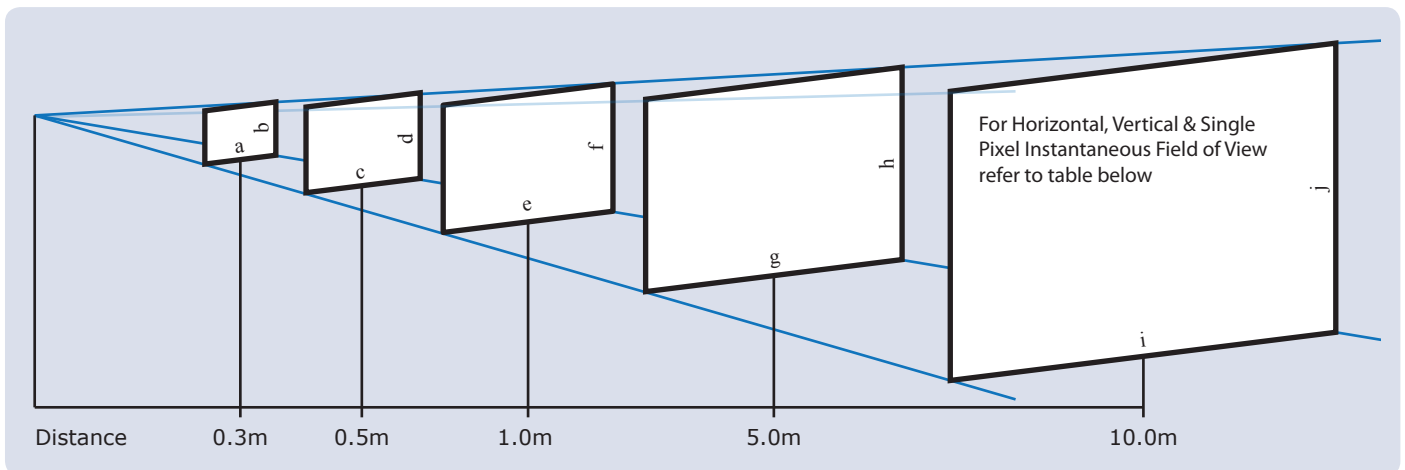
- 4 areas with min, max, mean and noise filter
- Individual emissivities
- 4 Alarms (high/low) per area

Configured with **Viewer+** Software

I/O

- A range of DIN rail mounted modules providing analog/digital inputs & outputs
- Direct connection to Arc Camera over ethernet
- Analogue output of areas of interest
- Digital outputs for high/low or warning alarm levels

Field of View for Lens Options



	0.3m			0.5m			1.0m			5.0m			10.0m		
	a	b	IFOV	c	d	IFOV	e	f	IFOV	g	h	IFOV	i	j	IFOV
11°	-	-	-	0.09m	0.07m	0.25mm	0.19m	0.144m	0.50mm	0.96m	0.72m	2.50mm	1.92m	1.44m	5.0mm
22°	0.12m	0.09m	0.30mm	0.19m	0.15m	0.50mm	0.39m	0.29m	1.00mm	1.94m	1.46m	5.00mm	3.89m	2.92m	10.0mm
44°	0.24m	0.18m	0.63mm	0.40m	0.30m	1.05mm	0.81m	0.61m	2.10mm	4.04m	3.03m	10.5mm	8.08m	6.06m	21.0mm
60°	0.35m	0.26m	0.90mm	0.58m	0.43m	1.50mm	1.15m	0.78m	3.00mm	5.77m	4.33m	15.0mm	11.55m	8.66m	30.0mm