

Series 9000 NMHC

NonMethane Hydrocarbon Analyzer



Analyzer

The Baseline® Series 9000 NMHC is a specialized member of the extraordinary Series 9000 family of gas analyzers. The Series 9000 is the candidate of choice whenever accurate, reliable total, Methane, and NonMethane analysis is required. The Series 9000 analyzer provides unparalleled flexibility and offers continuous, fully automated gas analysis over a broad range of concentrations.

The Series 9000 NMHC is designed to measure the total, methane, and non-methane hydrocarbon content of gas samples. The analyzer has a generous complement of analog, digital and logic output capabilities.

The analyzer is based on a flame ionization detector (FID) and an oxidation catalyst that is switched in and out of a portion of the sample stream. The catalyst oxidizes all hydrocarbons except methane, for a methane measurement. The methane value is then automatically subtracted from the total hydrocarbon concentration to determine the non-methane hydrocarbon reading.

The Series 9000 NMHC can be configured with internal components for single or multipoint analysis of non-condensing gas samples. The automatic calibration feature enhances the long-term analytical stability of the instrument. These features place the instrument well ahead of the competition in performance, automation, and configurability.

Applications

The Series 9000 NMHC is designed to continuously monitor the total hydrocarbon content of non-condensing gases in a variety of applications, such as:

- Ambient Air Monitoring Networks
- Clean Rooms
- Air & Oxygen Purity in Air Separation Plants

Features

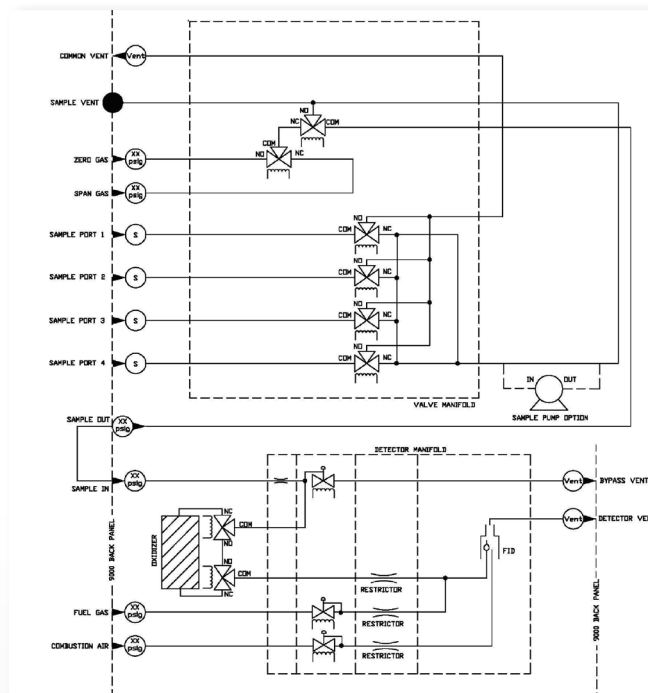
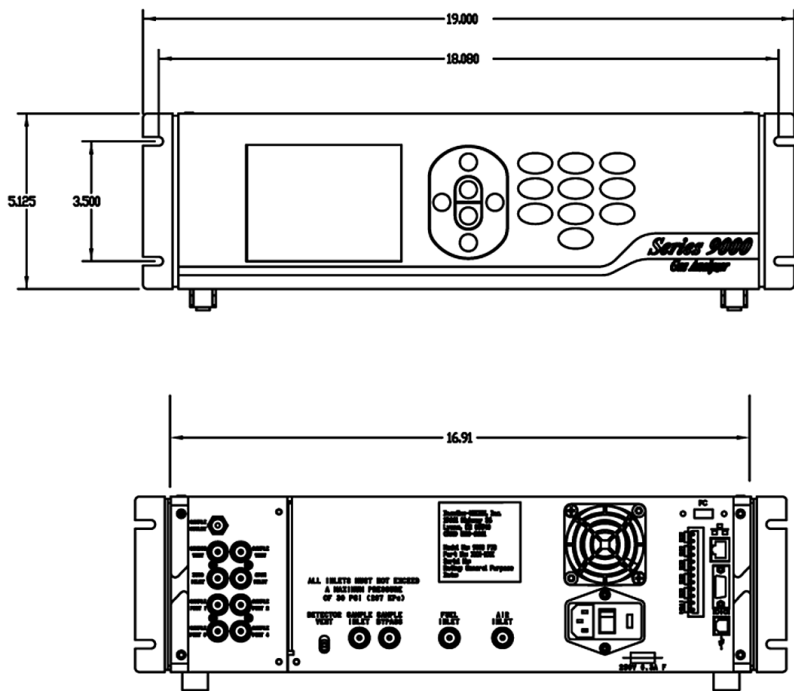
- Flame ionization detector.
- 3U case, 19" (48.3cm) rack mountable.
- Hydrocarbon detection from sub-ppm to 1000ppm (Methane).
- Automatic calibration at user-defined intervals.
- Internal, multipoint sampling option.
- **FlowGuard** electronic control of fuel, air and sample.
- Electronic back-pressure regulator with sample bypass system ensures fast response.
- Discrete, multilevel concentration & fault alarms.
- Programmable analog output ranges.
- Programmable relays for concentration alarms, events and diagnostics.
- Automatic FID ignition, with automatic shut-off of sample, fuel and combustion air.
- Remote operation via RS-232 and Ethernet.
- Graphical display and easy to use menu system.
- Optional 9000 Keeper software to monitor and control the instrument remotely.



CERTIFIED ISO 9001:2000

Series 9000 NMHC

NonMethane Hydrocarbon Analyzer



Analytical

Detector: Flame ionization detector (FID).

Oxidizer: Oxidizes NonMethane gases.

Range: User definable based upon calibration within:

MDQ 0.06ppm, Full-scale 1 - 200ppm (Air Balance)

MDQ 0.1ppm, Full-scale 1 - 1000ppm (Air Balance)

MDQ 0.03ppm, Full-scale 1 - 200ppm (O₂ Balance)

Repeatability: +/- 1% Full-scale response.

Drift: +/- 1% of Full-Scale over 24 hours.

Response Time: T90 < 30 sec.

Alarms: Multilevel concentration and fault alarms that result in audible and visual alarms. Alarms may also be mapped to relays to control external equipment.

Sampling: Internal single or multipoint modules for pre-filtered (<0.1 microns), non-condensing samples with or without sample pump.

Calibration: Programmable automatic or manual calibration.

Support Gas: Hydrogen 35 cc/min (H₂He Blend 100cc/min), Air 175 cc/min (typical). Hydrocarbon content must be less than 1 ppm. Fuel blend options available, consult Baseline®.

Physical

Dimensions: 19.00" (48.3cm) W x 14.25" (36.2cm) D x 5.25" (13.3cm) H.

Weight: < 20 lb (9.07kg).

Configuration: Bench-top or rack-mount 19" (48.3cm) panel.

Connections: ¼" (6.35mm) tube fitting connectors.

Operating Temperature: 32 - 104 °F (0 - 40 °C).

Operating Humidity: 0 - 95% (non-condensing).

Electrical

Power: 90 - 230 VAC, 50/60Hz, 3A.

Display: 3.4" (8.6cm) x 4.5" (11.4cm) graphical display.

Relay Outputs: 5 programmable form A relays rated to 3A @ 230V AC (optional additional 9 relay output board).

Analog Outputs: 1 programmable 0-20mA or 4-20mA isolated output (optional additional 3 analog output board).

Digital Outputs: RS-232, Ethernet.

D018.5

P.O. Box 649, 19661 Highway 36 • Lyons, CO 80540

P: 1.800.321.4665 • 1.303.823.6661 F: 303.823.5151 E: Sales@BaselineIndustries.com